



Product Features

- ✧ Support for multi-gigabit data rates up to 10.5Gbps
- ✧ Hot-pluggable SFP 20PIN footprint
- ✧ I/O Connector designed for high speed differential signal applications
- ✧ Improved Pluggable Form Factor(IPF) compliant for enhanced EMI/EMC performance
- ✧ Compatible to SFP+ MSA
- ✧ Available lengths (in meters): 1, 3, 5
- ✧ RoHS compliant
- ✧ Power Supply :+3.3V
- ✧ Case operating temperature: Commercial: 0°C to +70°C



Applications

- ✧ High capacity I/O in Storage Area Networks, Network Attached Storage, and Storage Servers
- ✧ Switched fabric I/O such as ultra high bandwidth switches and routers
- ✧ InfiniBand SDR, DDR, QDR
- ✧ Data center cabling infrastructure
- ✧ High density connections between networking equipment
- ✧ 10G Ethernet Data Center Intra-Rack and Inter-Rack links

Ordering Information

Part Number	Number
FH-DP1T30SS0x	SFP+ Direct Attach Passive Cable (10GSFP+Cu), 1-5m, AWG:30, 0°C ~ +70°C



General

The SFP+ passive cable assemblies are high performance, cost effective I/O solutions for 10G Ethernet and 10G Fiber Channel applications. SFP+ copper modules allow hardware manufactures to achieve high port density, configurability and utilization at a very low cost and reduced power budget. The high speed cable assemblies meet and exceed Gigabit Ethernet and Fiber Channel industry standard requirements for performance and reliability.

Recommended Operating Conditions

Parameter	Symbol	Min	Typical	Max	Unit	
Storage Ambient Temperature		-40		+85	°C	1
Operating Case Temperature	Tc	0		70	°C	
Power Supply Voltage	VCC3	3.14	3.3	3.47	V	
Power Dissipation	PD			0.02	W	

Notes: 1. Assumes no mechanical load force on the unit. Ensuring no mechanical load force requires a cable bend radius of >105 mm within 100 mm of either cable and SFP+ end and >60 mm on the rest of the cable. Otherwise, the storage temperature range is -20 to 75°C.

General Specifications

Parameter	Symbol	Min	Typ	Max	Units	Ref.
Bit Rate	BR		10.3		Gb/s	
Bit Error Ratio	BR			10-15		1

notes: 1. Tested with a 231 – 1 PRBS

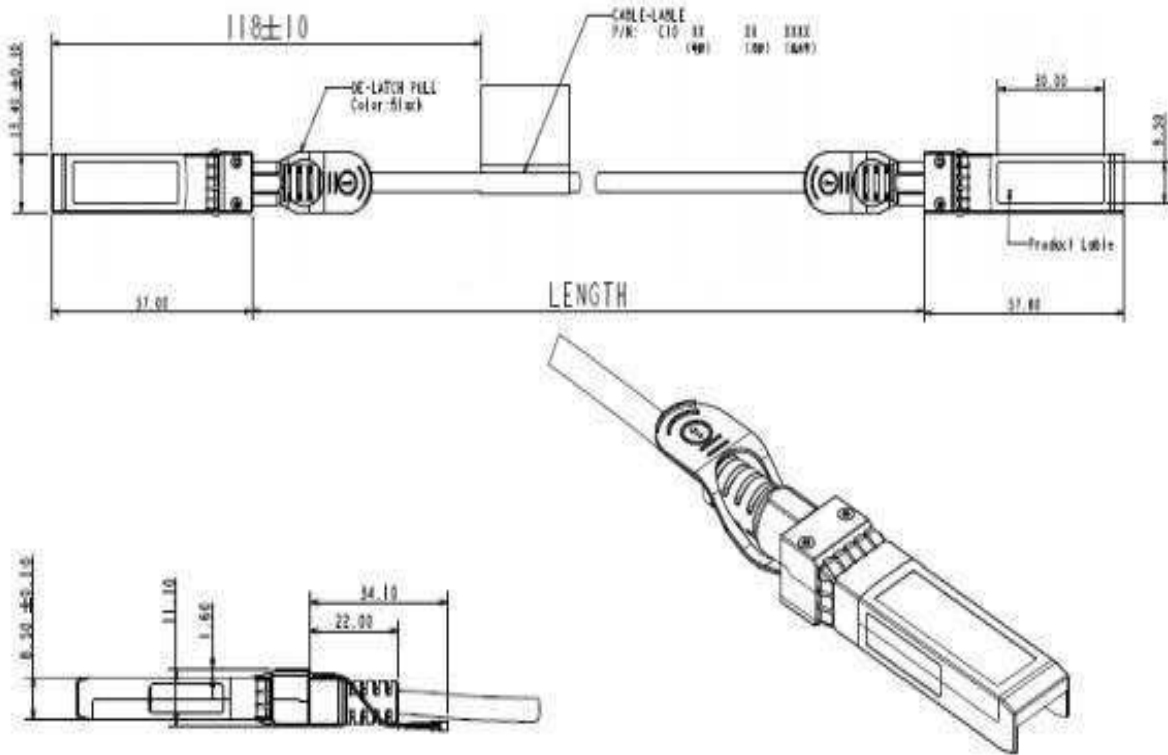
**Pin Definitions And Functions**

PIN	Logic	Symbol	Name/Description	Notes
1		VeeT	Tx ground	
2	LV-TTL-O	Tx Fault	N/A	1
3	LV-TTL-I	Tx Disable	Transmitter Disable	2
4	LV-TTL-I/O	SDA	Tow Wire Serial Data	
5	LV-TTL-I	SCL	Tow Wire Serial Clock	
6		MOD-DEF0	Module present, connect to VeeT	
7	LV-TTL-I	RS0	N/A	1
8	LV-TTL-O	LOS	LOS of Signal	2
9	LV-TTL-I	N/A	N/A	1
10		VeeR	Rx ground	
11		VeeR	Rx ground	
12	CML-O	RD-	Reciever Data Inverted	
13	CML-O	RD+	Reciever Data Non-Inverted	
14		VeeR	Rx ground	
15		VccR	Rx power supply	
16		VccT	Tx power supply	
17		VeeT	Tx ground	
18	CML-I	TD+	Transmitter Data Non-Inverted	
19	CML-I	TD-	Transmitter Data Inverted	
20		VeeT	Transmitter Ground	

- Notes:**
1. Signals not supported in SFP+ Copper pulled-down to VeeT with 30K ohms resistor
 2. Passive cable assemblies do not support LOS and TX_DIS



Management Interface



For More Information

FANG HANG TECH LIMITED

Add: Room 908, Jingyuan Building, No.28 Bu long Rd. Long gang Dist. Shenzhen China

Tel: +86-755-89584520

Fax: +86-755-89584520

sales@fanghangtech.com

www.fanghangtech.com